



## SURGICAL LIGHT

The NUVO Surgical Light provides superior performance for all aspects of surgery. The lighthead provides excellent shadow reduction, a high-intensity light pattern and optimal color rendition. Its unique, patented interface allows the user to fully control the light's intensity, pattern, position and orientation from the lighthead.

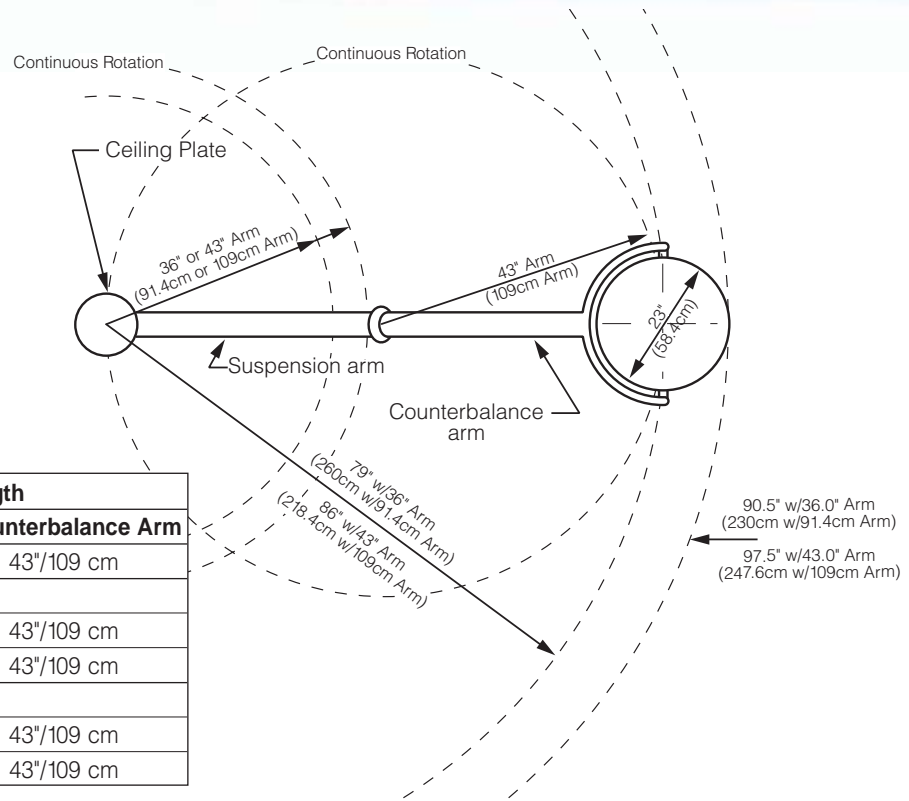
Appropriate for the vast majority of general and specialized surgical procedures including Micro Surgery, Orthopedics, OB/GYN, Ophthalmology, and Cosmetic Surgery.



## PERFORMANCE SPECIFICATIONS

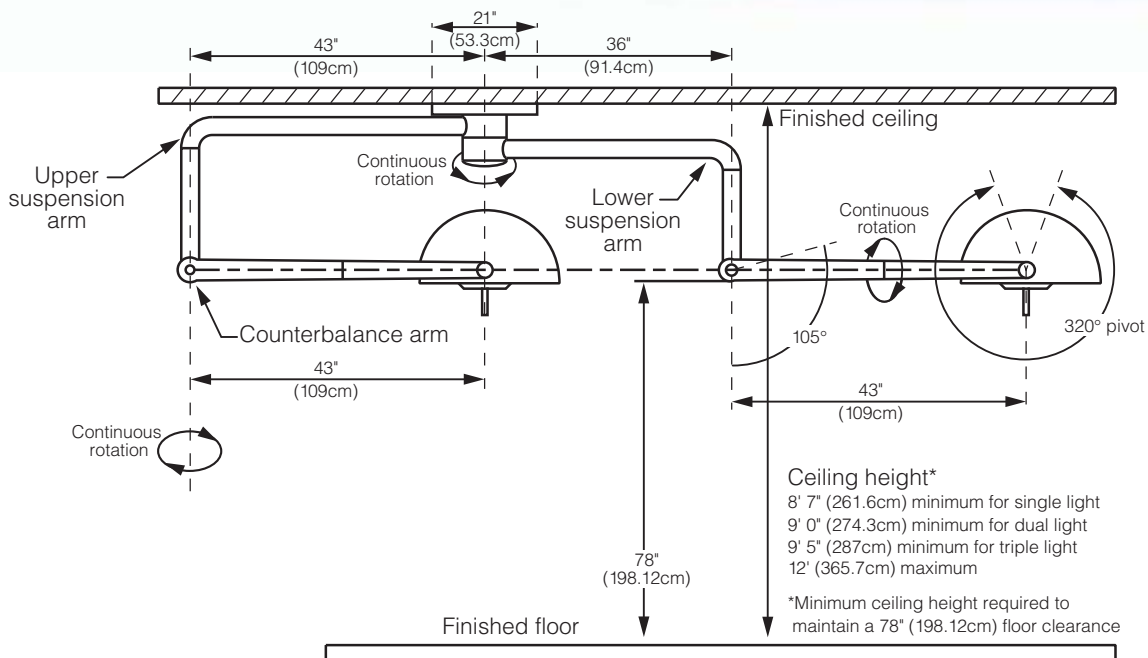
<b>Electrical Input</b>	<b>100V</b>	<b>50/60Hz</b>		
	<b>120V</b>	<b>50/60Hz</b>		
	<b>220V</b>	<b>50/60Hz</b>		
	<b>230 - 240V</b>	<b>50/60Hz</b>		
<b>Power</b>	<b>180 Watts</b>			
<b>Intensity/Lighthead</b>	<b>12,700 Footcandles (137,000 Lux)</b>			
<b>Bulb Type</b>	<b>Tungsten Quartz Xenon/Halogen</b>			
Number of Bulbs	2 (Primary & Automatic Backup)			
<b>Color Temperature</b>	<b>4,300°K</b>			
<b>Depth of Field</b>	<b>28" (70cm) without adjusting the pattern</b>			
<b>Heat to Light Ratio</b>	<b>3.8 <math>\mu\text{w}/\text{cm}^2\text{-fc}</math></b>			
<b>Cavity Penetration</b>	<b>&gt;95% minimum</b>			
<b>Pattern Size</b>	<b>5.5" - 10.0" nominal (14cm - 25cm)</b>			
<b>Weight</b>	<b>Vertical Load</b>	<b>Moment Load</b>		
Single Lighthead	<b>155 lbs.</b>	<b>70 Kg</b>	<b>410 ft. lbs.</b>	<b>556 Nm</b>
Dual Lighthead	<b>260 lbs.</b>	<b>118 Kg</b>	<b>795 ft. lbs.</b>	<b>1078 Nm</b>
Triple Lighthead	<b>365 lbs.</b>	<b>166 Kg</b>	<b>1,160 ft. lbs.</b>	<b>1573 Nm</b>
<b>Controls (Wall Control and Sterile Handle):</b>				
Light	<b>On/Off</b>			
Pattern Adjustment (at Sterile Handle Only)	<b>Continuous Adjustment 5.5" - 10.0" (14cm - 25cm)</b>			
Intensity	<b>Increase/Decrease (5 Steps, Approx. 1,500 footcandles/step)</b>			
<b>Indicators (at the Lighthead and Wall Control Unit):</b>				
Intensity	<b>5 Blue LEDs at each location</b>			
Relamp	<b>Single Amber LED at each location</b>			
Input Power	<b>Single Green LED at each location</b>			

# RANGE OF ARTICULATION



Configurations	Arm Length	
	Suspension Arm	Counterbalance Arm
• <b>Single Lighthead</b>	36"/91.4 cm	43"/109 cm
• <b>Dual Lighthead</b>		
– Upper Arm	43"/109 cm	43"/109 cm
– Lower Arm	36"/91.4 cm	43"/109 cm
• <b>Triple Lighthead</b>		
– Upper Arm	43"/109 cm	43"/109 cm
– Lower Arms (2)	36"/91.4 cm	43"/109 cm

# RANGE OF CIRCULAR MOTION



5368 Kuhl Road • Erie, Pennsylvania 16510-4703  
 (800) 663-1152 • (814) 899-4220 • FAX (814) 899-1410  
 www.nuvosurgical.com

NUVO, Inc. reserves the right to make changes without notice in design, specifications, and models. The only warranty NUVO, Inc. makes is the express written warranty extended on the sale or rental of its products. © 2003 NUVO, Inc. ALL RIGHTS RESERVED.